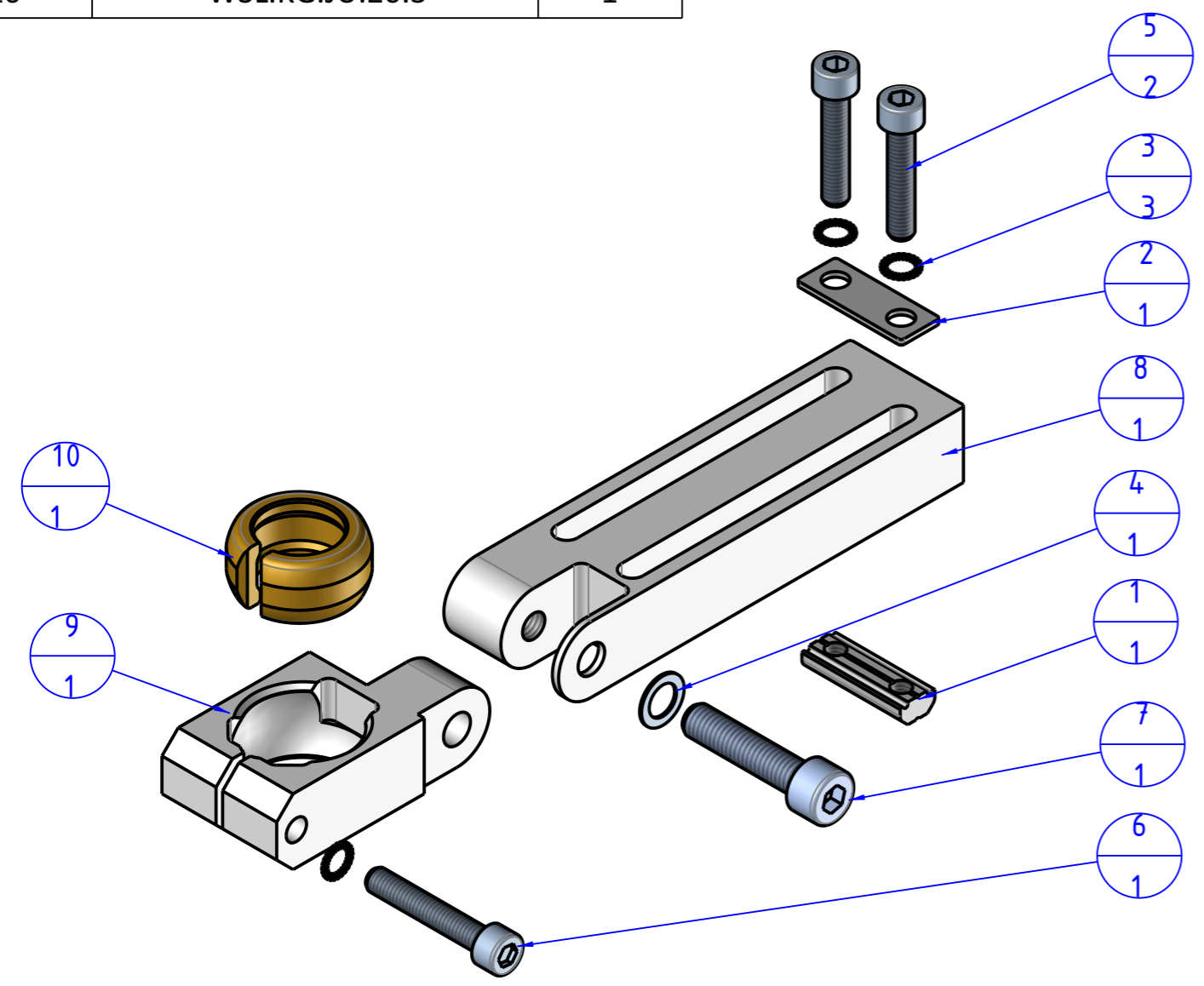
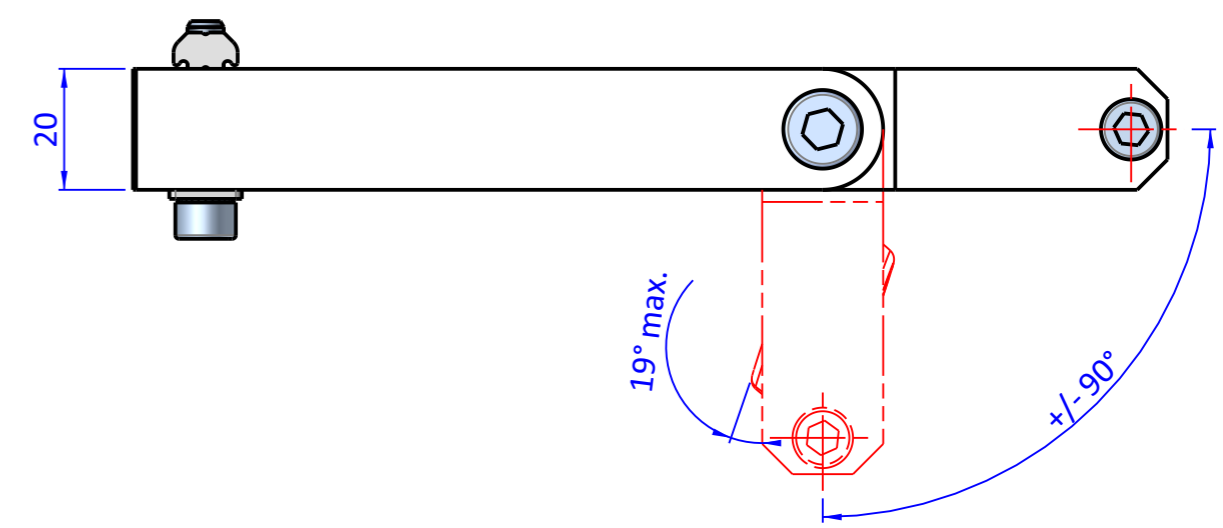
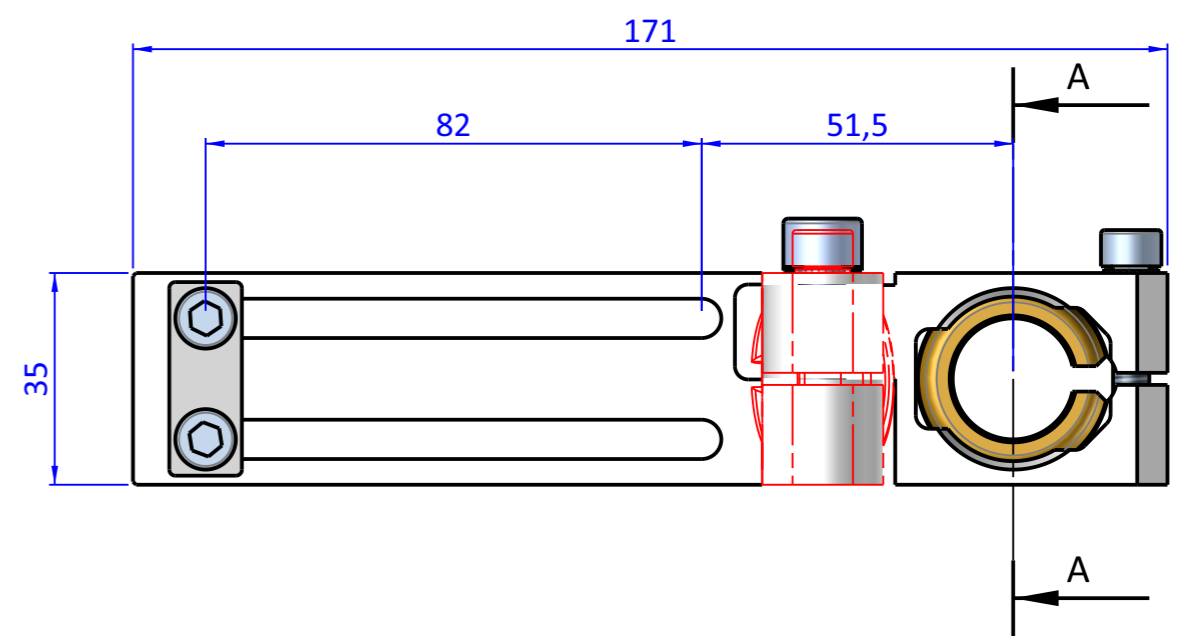
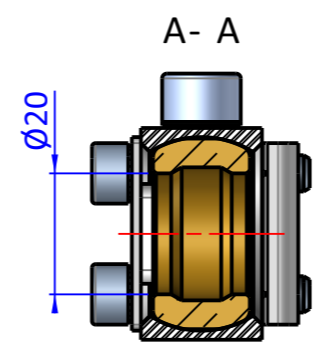



THE PROPERTY OF THE DRAWING IS ESTABLISHED BY LAW. IT IS FORBIDDEN TO PRODUCE OR SHOW IT TO THIRD PART. WITHOUT A WRITTEN AGREEMENT.

Object Number	Name	QTY
1	CA.GWP.6.20	1
2	R.06.20	1
3	R.6.SCH	3
4	R.8.SCH	1
5	V.TCE6x30	2
6	V.TCE6x35	1
7	V.TCE8x35	1
8	WSL.KG.JU.20.1	1
9	WSL.KG.JU.20.2	1
10	WSL.KG.JU.20.3	1



Format A3
UNI 936-76

 FPS SERVICES AUTOMATION		DESIGNED FROM		REVIEW
		FPS Automation		A
GENERAL TOLERANCE		DATE	WEIGHT	
UNI - ISO 2768		25/10/2023	0,319kg	
CLASSE f		DESCRIPTION	CODE	
		CA.WSL.KG.JU.20	CA.WSL.KG.JU.20	